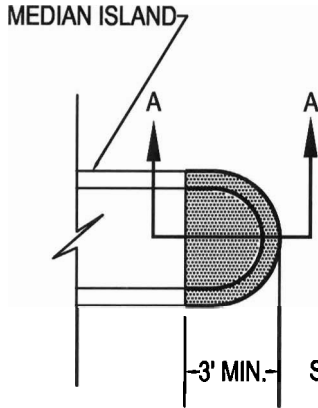
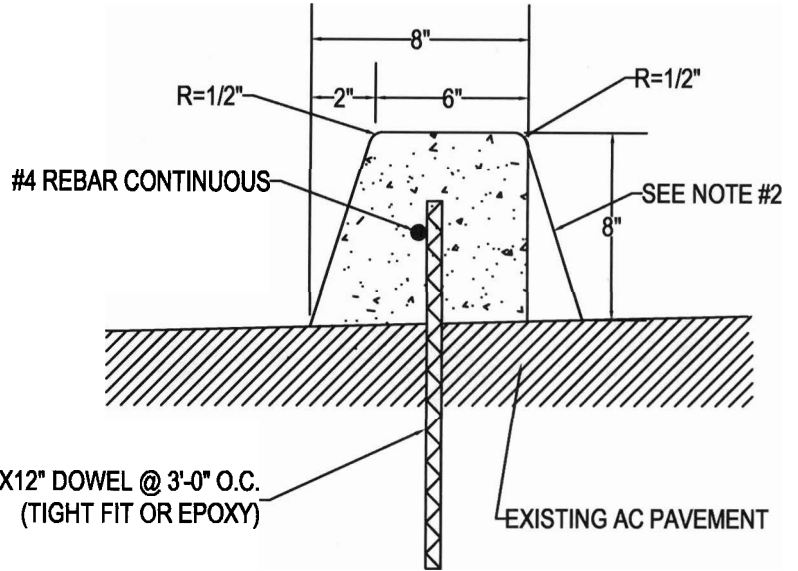


SECTION A-A



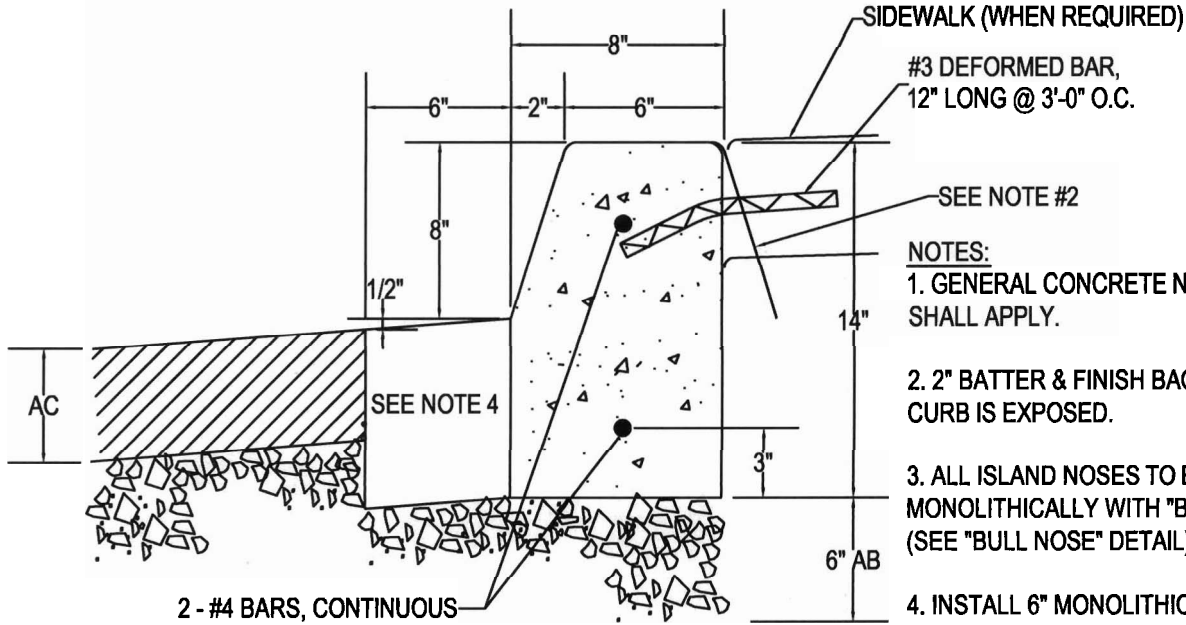
BULL NOSE DETAIL

SEE NOTE 3



TACK-ON CURB

NOTE: DELETE #4 BAR & DOWEL IF CURB IS EXTRUDED. FOR EXTRUDED CURB CONSTRUCTION, EPOXY RESIN ADHESIVE SHALL BE APPLIED IN LIEU OF BAR & DOWEL REINFORCING.




VERTICAL CURB

NOTES:

1. GENERAL CONCRETE NOTES DWG. R-7 SHALL APPLY.
2. 2" BATTER & FINISH BACKSIDE IF BACK OF CURB IS EXPOSED.
3. ALL ISLAND NOSES TO BE POURED MONOLITHICALLY WITH "BULL NOSE" (SEE "BULL NOSE" DETAIL)
4. INSTALL 6" MONOLITHIC GUTTER WITH CURB IF REQUIRED ON PLANS.

CITY OF MILLBRAE * STANDARD PLANS

NO.	REVISIONS	DATE	ISLAND CURB			APPROVED
						 City Engineer
						DWG. NO. R-4
DRAWN	CHECKED	DATE	SCALE	NONE	SHEET	10F1
	KL	4/1/08				