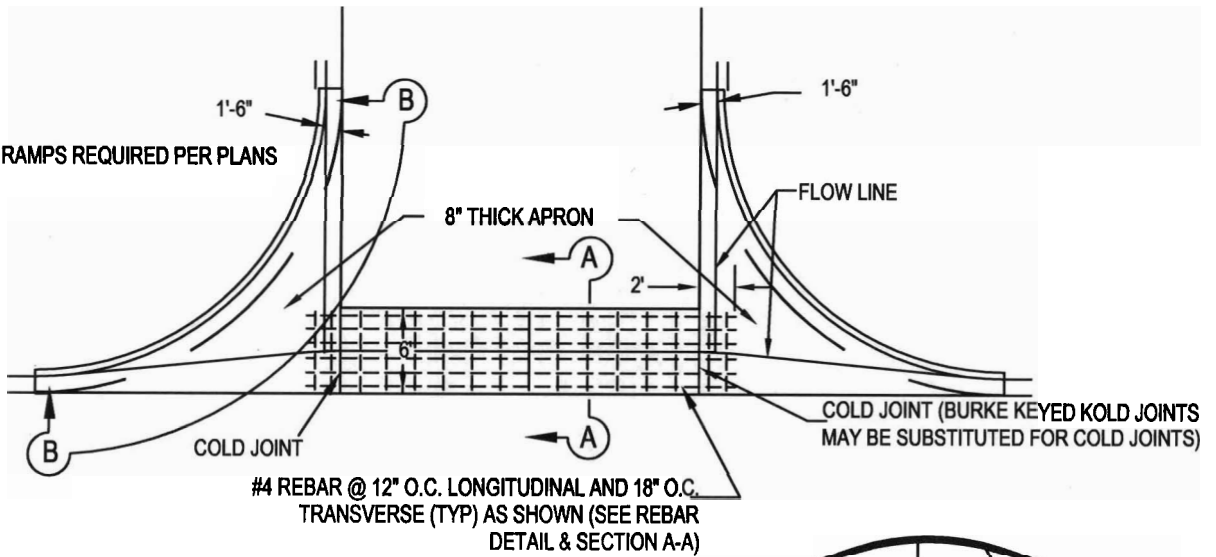
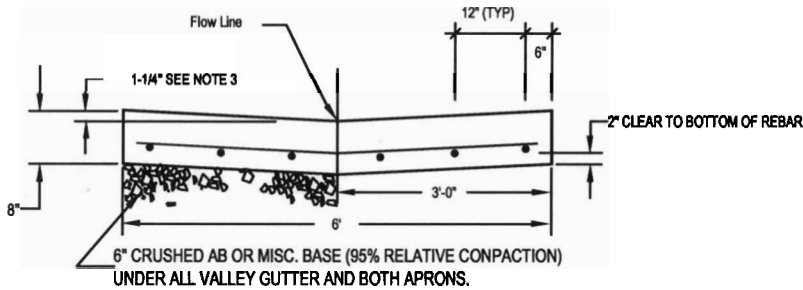


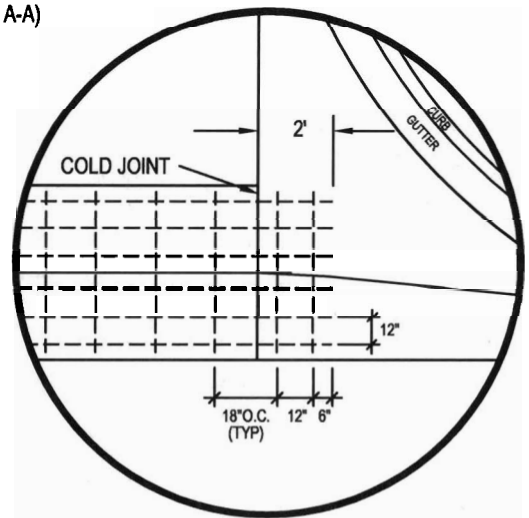
WHEELCHAIR RAMPS REQUIRED PER PLANS



PLAN



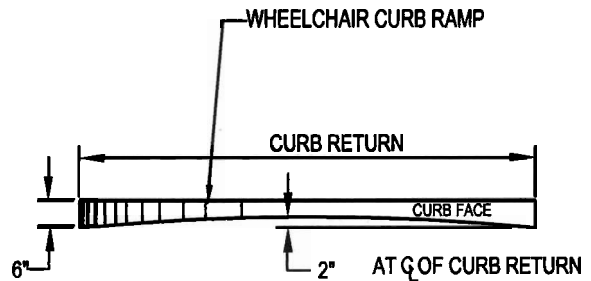
SECTION A-A



REBAR DETAIL

**NOTES:**

1. DWG. R-7, GENERAL CONCRETE NOTES SHALL APPLY.
2. CONCRETE VALLEY GUTTER APRON SHALL BE CONSTRUCTED MONOLITHICALLY WITH CURB AND GUTTER.
3. VARIABLE WHERE CONTROLLED BY EXISTING CURB AND GUTTER AT VALLEY ENDS.
4. HEAVY LINE ON PLAN DESIGNATES PAY LIMITS OF VALLEY GUTTER WHEN APPLICABLE.
5. WATER TEST FLOW LINE IN PRESENCE OF CITY ENGINEER.
6. ALL WHEELCHAIR RAMP DETAILS SHALL CONFORM TO THE LATEST REQUIREMENTS OF ADA.



VIEW B-B

ELEVATION AT CURB RETURN FACE

**CITY OF MILLBRAE \* STANDARD PLANS**

**VALLEY GUTTER**

NO	REVISIONS	DATE					APPROVED	<i>[Signature]</i>			
								City Engineer			
DRAWN	AR	CHECKED	KL	DATE	5/7/08	SCALE	NONE	SHEET	1 OF 1	DWG. NO.	R-3