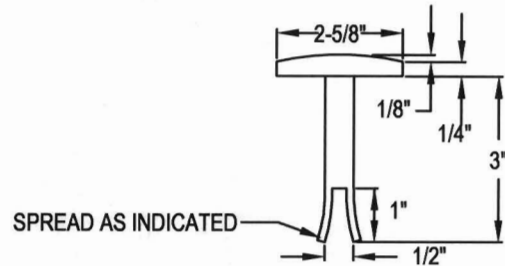
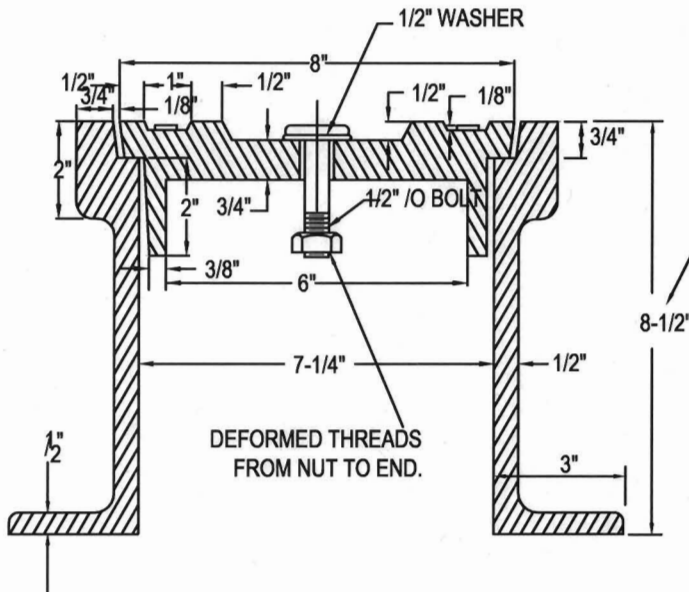


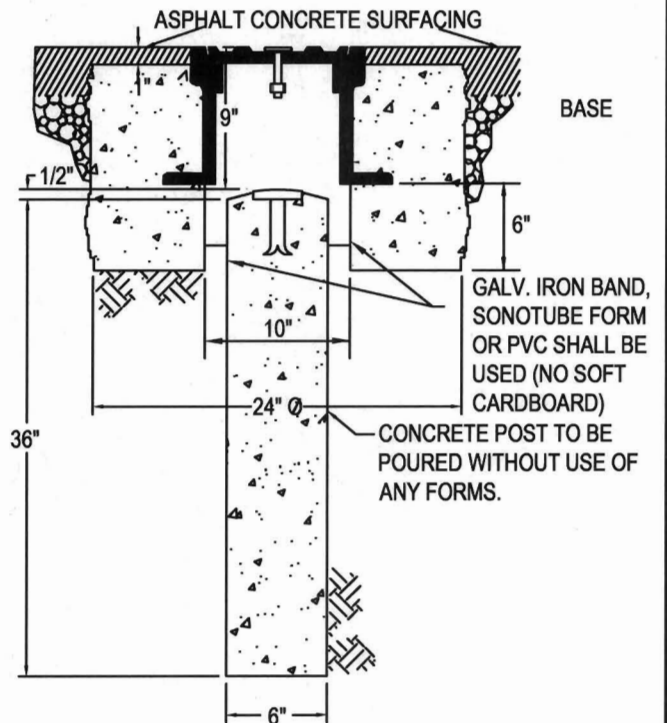
RED BRASS  
 COPPER 85%  
 TIN 5% ZINC  
 5% LEAD 5%



NOTE: FRAME AND COVER SHALL BE PHOENIX IRON WORKS P-2001 D & L SUPPLY K-6001, OR APPROVED EQUAL.

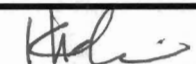
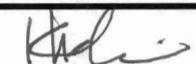


4-1/2" MAY BE USED ON RETROFIT IF APPROVED BY CITY ENGINEER.



NOTE:  
 1. ALL CONCRETE SHALL BE 6 SACK, 2,500 PSI MINIMUM. TOP OF MONUMENT SHALL HAVE A SMOOTH, ROUNDED FINISH.  
 2. INSTALLATION SHALL COMFORM TO UTILITY FRAME AND COVER ADJUSTMENT DWG. S-7

CITY OF MILLBRAE \* STANDARD PLANS

NO.	REVISIONS	DATE	SURVEY MONUMENT			APPROVED					
			<div style="text-align: center;">             City Engineer         </div>			 City Engineer					
DRAWN	AR	CHECKED	KL	DATE	4/1/08	SCALE	NONE	SHEET	1 OF 1	DWG. NO.	R-10